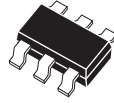




CMXTC935A

**SURFACE MOUNT
SUPERmini™
TEMPERATURE COMPENSATED
SILICON ZENER DIODE**

SUPERmini™



SOT-26 CASE

Central™

Semiconductor Corp.

DESCRIPTION:

The CENTRAL SEMICONDUCTOR CMXTC935A is a 9.0 volt, temperature compensated Zener reference diode. This device is ideal for applications requiring long term voltage stability over the specified temperature range.

For proper device operation, external connections must be made on the PCB. See the required mounting pad drawing on the following page.

MARKING CODE: C935

MAXIMUM RATINGS: (T_A=25°C)

Power Dissipation
Operating and Storage Junction Temperature
Zener Voltage Tolerance

SYMBOL

P_D 350
T_J, T_{stg} -65 to +150
±5

UNITS

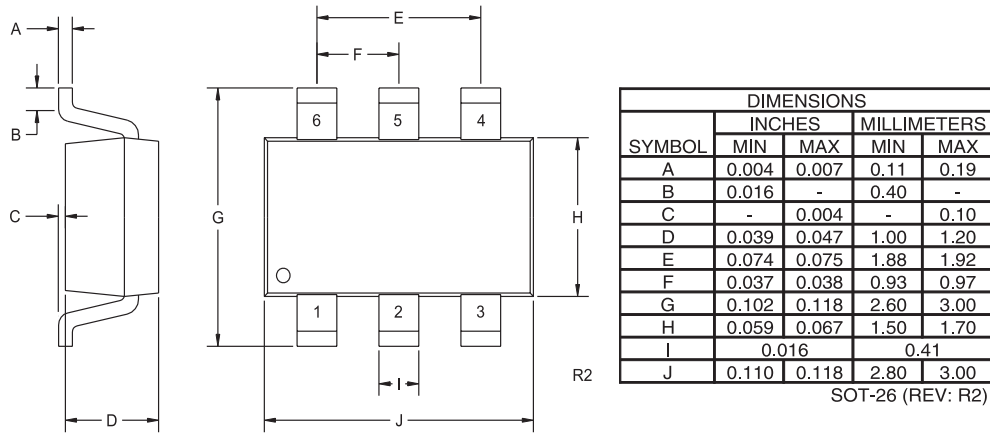
mW
°C
%

ELECTRICAL CHARACTERISTICS: (T_A=25°C unless otherwise noted)

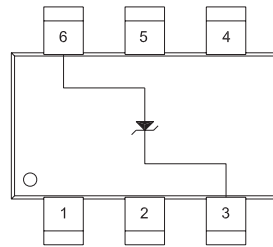
SYMBOL	TEST CONDITIONS	MIN	NOM	MAX	UNITS
V _Z	I _Z = 7.5mA	8.55	9.0	9.45	V
Z _Z	I _Z = 7.5mA			30	Ω
*ΔV _Z	I _Z = 7.5mA			95	mV

* The Maximum allowable voltage change observed at the specified temperatures of -55°C, 0°C, 25°C, 75°C, and 100°C

SOT-26 CASE - MECHANICAL OUTLINE



PIN CONFIGURATION

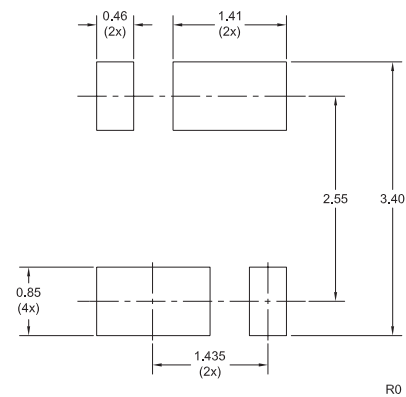


LEAD CODE:

- 1) CONNECT TO PIN 2
- 2) CONNECT TO PIN 1
- 3) CATHODE
- 4) CONNECT TO PIN 5
- 5) CONNECT TO PIN 4
- 6) ANODE

MARKING CODE: C935

**REQUIRED MOUNTING PADS
(Dimensions in mm)**



R0 (3-December 2007)